



JDENTALCARE
just smile



Approved



MADE IN ITALY

plus



Dental Implant

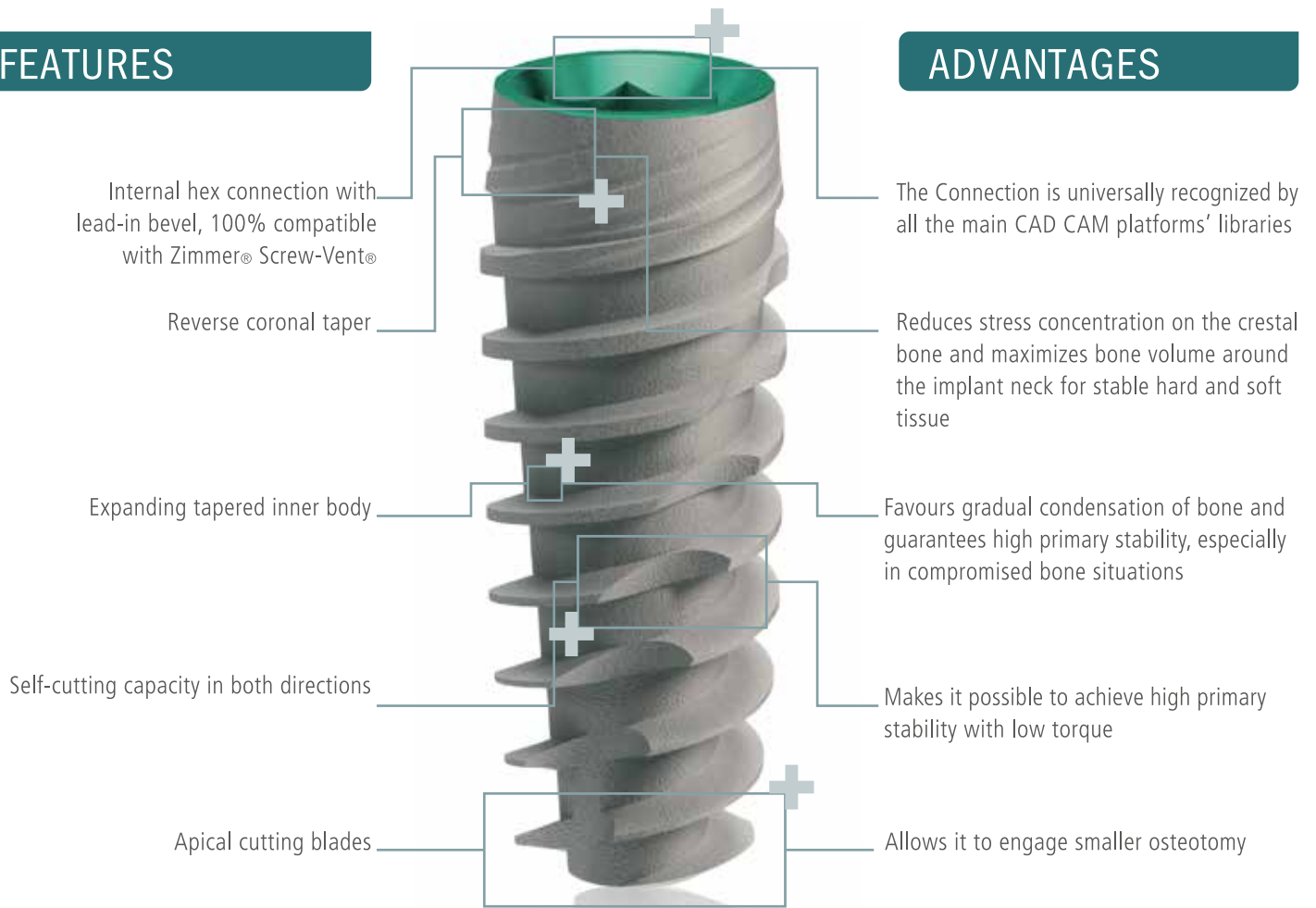
JD EVOLUTION[®]

JD EVOLUTION® PLUS+

SIMPLE INSERTION, NATURAL STABILITY.

FEATURES

ADVANTAGES



SINGLE PROSTHETIC CONNECTION.

FEATURES

ADVANTAGES

- Connection 100% compatible with Zimmer® Screw-Vent®.
- Single prosthetic connection for all diameters, Ø 3.7, Ø 4.3, Ø 5.0, Ø 6.0
- Dual system conical connection with internal hexagon.
- Built-in platform switching.
- Complete choice of temporary and final abutments with healing abutments of various heights and emergence profiles.



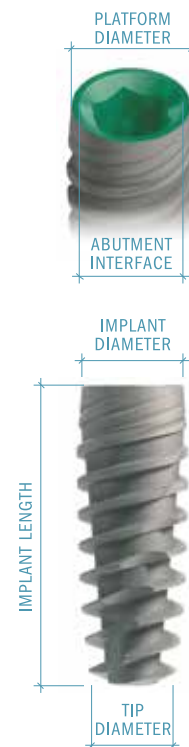
- The Connection is universally recognized by all the main CAD CAM platforms' libraries.
- Simplicity of clinical processes.
- Reduced inventory and enhanced working flexibility.
- Excellent connection stability.
- Sealed connection, virtually eliminating implant-abutment microgap due to the specific connection design.
- Superior mechanical strength.
- Greater hard and soft tissue stability.

JD EVOLUTION® PLUS+

PRODUCT SPECIFICATIONS.

The JDEVOLUTION® PLUS+ dental implant is available in the diameters and lengths shown in this chart:

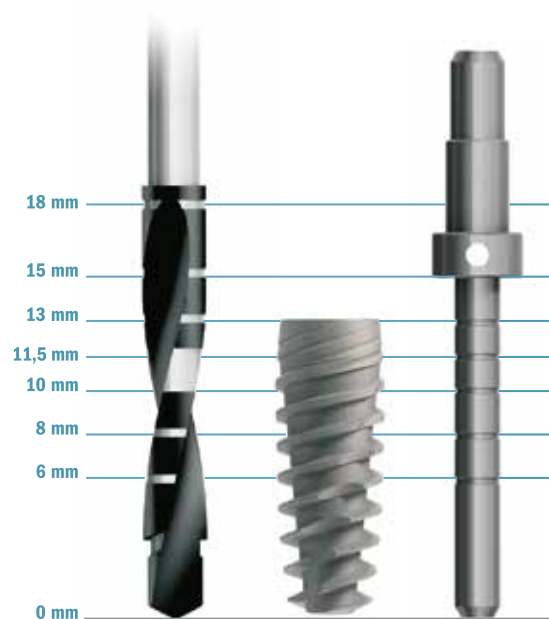
IMPLANT DIAMETER	TIP DIAMETER	ABUTMENT INTERFACE	PLATFORM DIAMETER	LENGTH						
				6	8	10	11.5	13	15	18
Ø 3,7	2.7	3.4	3.7		8	10	11.5	13	15	18
Ø 4,3	3.2	3.4	4.0	6	8	10	11.5	13	15	18
Ø 5,0	3.9	3.4	4.0	6	8	10	11.5	13	15	
Ø 6,0	4.8	3.4	5.0	6	8	10	11.5	13	15	



JD EVOLUTION® PLUS+ DRILLING PROTOCOLS.

It is recommended to adhere to the indications of the following drilling sequence to ensure optimal primary stability of the implant.

IMPLANT DIAMETER	SOFT BONE TYPE IV	MEDIUM BONE TYPE II-III	DENSE BONE TYPE I
Ø 3,7	2.0 2.4	2.0 2.4 2.8	2.0 2.4 2.8 3.2 (3.6)
Ø 4,3	2.0 2.4 2.8	2.0 2.4 2.8 3.2 (3.6)	2.0 2.4 2.8 3.2 3.6 (4.0)
Ø 5,0	2.0 2.4 2.8 3.2	2.0 2.4 2.8 3.2 3.6 (4.0)	2.0 2.4 2.8 3.2 3.6 4.0 (4.4)
Ø 6,0	2.0 2.4 2.8 3.2 3.6	2.0 2.4 2.8 3.2 3.6 4.0 (4.4)	2.0 2.4 2.8 3.2 3.6 4.0 4.4 (4.8)



Note: All dimensions are expressed in millimetres.

JD EVOLUTION® PLUS+

PRODUCT CATALOGUE

Implants:

Ø 3,7

EV37080:	JDEvolution®Plus+ Ø 3.7 L 8
EV37100:	JDEvolution®Plus+ Ø 3.7 L 10
EV37115:	JDEvolution®Plus+ Ø 3.7 L 11.5
EV37130:	JDEvolution®Plus+ Ø 3.7 L 13
EV37150:	JDEvolution®Plus+ Ø 3.7 L 15
EV37180:	JDEvolution®Plus+ Ø 3.7 L 18

Ø 4,3

EV43060:	JDEvolution®Plus+ Ø 4.3 L 6
EV43080:	JDEvolution®Plus+ Ø 4.3 L 8
EV43100:	JDEvolution®Plus+ Ø 4.3 L 10
EV43115:	JDEvolution®Plus+ Ø 4.3 L 11.5
EV43130:	JDEvolution®Plus+ Ø 4.3 L 13
EV43150:	JDEvolution®Plus+ Ø 4.3 L 15
EV43180:	JDEvolution®Plus+ Ø 4.3 L 18

Ø 5,0

EV50060:	JDEvolution®Plus+ Ø 5.0 L 6
EV50080:	JDEvolution®Plus+ Ø 5.0 L 8
EV50100:	JDEvolution®Plus+ Ø 5.0 L 10
EV50115:	JDEvolution®Plus+ Ø 5.0 L 11.5
EV50130:	JDEvolution®Plus+ Ø 5.0 L 13
EV50150:	JDEvolution®Plus+ Ø 5.0 L 15

Ø 6,0

EV60060:	JDEvolution®Plus+ Ø 6.0 L 6
EV60080:	JDEvolution®Plus+ Ø 6.0 L 8
EV60100:	JDEvolution®Plus+ Ø 6.0 L 10
EV60115:	JDEvolution®Plus+ Ø 6.0 L 11.5
EV60130:	JDEvolution®Plus+ Ø 6.0 L 13
EV60150:	JDEvolution®Plus+ Ø 6.0 L 15



Cover screw:

EVCS:	Cover screw JDEvolution®Plus+
-------	-------------------------------



Healing Abutment:

EVHA43:	Healing Abutment Ø 4.0 H 3.0 JDEvolution®Plus+
EVHA45:	Healing Abutment Ø 4.0 H 5.0 JDEvolution®Plus+
EVHA47:	Healing Abutment Ø 4.0 H 7.0 JDEvolution®Plus+
EVHA53:	Healing Abutment Ø 5.0 H 3.0 JDEvolution®Plus+
EVHA55:	Healing Abutment Ø 5.0 H 5.0 JDEvolution®Plus+
EVHA57:	Healing Abutment Ø 5.0 H 7.0 JDEvolution®Plus+
EVHA63:	Healing Abutment Ø 6.0 H 3.0 JDEvolution®Plus+
EVHA65:	Healing Abutment Ø 6.0 H 5.0 JDEvolution®Plus+
EVHA67:	Healing Abutment Ø 6.0 H 7.0 JDEvolution®Plus+



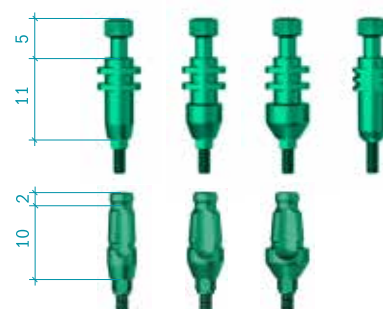
Impression copings:

OPEN TRAY

EVICOT4C:	Impression coping open tray Ø 4.0 JDEvolution®Plus+
EVICOT5C:	Impression coping open tray Ø 5.0 JDEvolution®Plus+
EVICOT6C:	Impression coping open tray Ø 6.0 JDEvolution®Plus+
EVICOTNEC:	Impression coping open tray non engaging JDEvolution®Plus+

CLOSED TRAY

EVICCT4C:	Impression coping closed tray Ø 4.0 JDEvolution®Plus+
EVICCT5C:	Impression coping closed tray Ø 5.0 JDEvolution®Plus+
EVICCT6C:	Impression coping closed tray Ø 6.0 JDEvolution®Plus+



Temporary Abutment:

EVTAEC: Temporary Abutment engaging JDEvolution®Plus+
 EVTANEC: Temporary Abutment non engaging JDEvolution®Plus+



Straight Abutment:

EVNSA4520C: Straight Abutment Ø 4.5 H 2.0 JDEvolution®Plus+
 EVNSA4540C: Straight Abutment Ø 4.5 H 4.0 JDEvolution®Plus+
 EVNSA5020C: Straight Abutment Ø 5.0 H 2.0 JDEvolution®Plus+
 EVNSA5040C: Straight Abutment Ø 5.0 H 4.0 JDEvolution®Plus+
 EVNSA6020C: Straight Abutment Ø 6.0 H 2.0 JDEvolution®Plus+
 EVNSA6040C: Straight Abutment Ø 6.0 H 4.0 JDEvolution®Plus+



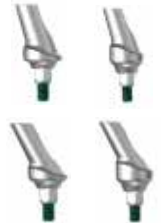
GP Abutment:

EVGPA40EC: Gp Abutment engaging Ø 4.0 JDEvolution®Plus+
 EVGPA40NEC: Gp Abutment non engaging Ø 4.0 JDEvolution®Plus+
 EVGPAEC: Gp Abutment engaging Ø 5.0 JDEvolution®Plus+
 EVGPA50NEC: Gp Abutment non engaging Ø 5.0 JDEvolution®Plus+
 EVGPA60EC: Gp Abutment engaging Ø 6.0 JDEvolution®Plus+



Angulated Abutment:

EV15A15: 15° Angulated Anatomic Abutment Ø 5.0 H 1.5 JDEvolution®Plus+
 EV15A30: 15° Angulated Anatomic Abutment Ø 5.0 H 3.0 JDEvolution®Plus+
 EV25A15: 25° Angulated Anatomic Abutment Ø 5.0 H 1.5 JDEvolution®Plus+
 EV25A30: 25° Angulated Anatomic Abutment Ø 5.0 H 3.0 JDEvolution®Plus+



Rapid Abutment:

EVRA15C: Rapid Abutment H 1.5 JDEvolution®Plus+
 EVRA30C: Rapid Abutment H 3.0 JDEvolution®Plus+
 EVRAHC: Healing cap Rapid Abutment JDEvolution®Plus+
 EVRAIC: Coping Rapid abutment JDEvolution®Plus+
 EVRAAR: Abutment replica rapid abutment JDEvolution®Plus+



Wax up Abutment:

EVWAEC: Wax-up Abutment engaging JDEvolution®Plus+
 EVWANEC: Wax-up Abutment non engaging JDEvolution®Plus+



Gold Abutment:

EVGAEC: Gold Abutment engaging JDEvolution®Plus+
 EVGANEC: Gold Abutment non engaging JDEvolution®Plus+



Cobalt-Chrome Abutment:

EVCCEC:	Cobalt-Chrome Abutment engaging JDEvolution® Plus+
EVCCNEC:	Cobalt-Chrome Abutment non engaging JDEvolution® Plus+



Prosthetic screw:

EVS:	Abutment Screw JDEvolution® Plus+
------	-----------------------------------



Conical Abutment:

EVNCA15C	Straight Conical Abutment H 1.5 JDEvolution® Plus+
EVNCA30C	Straight Conical Abutment H 3.0 JDEvolution® Plus+
EVCA1725C:	17° angulated Conical Abutment H 2.5 JDEvolution® Plus+
EVCA1735C:	17° angulated Conical Abutment H 3.5 JDEvolution® Plus+
EVCA3025C:	30° angulated Conical Abutment H 2.5 JDEvolution® Plus+
EVCA3035C:	30° angulated Conical Abutment H 3.5 JDEvolution® Plus+
EVCAPS:	Prosthetic screw Conical Abutment JDEvolution® Plus+
EVCASA:	Screw for angulated Conical Abutment JDEvolution® Plus+
EVCAICOTC:	Impression coping open tray Conical Abutment JDEvolution® Plus+
EVCAICCTC	Impression coping closed tray Conical Abutment
EVCAHC:	Healing cap Conical Abutment JDEvolution® Plus+
EVCAHCB:	Healing cap peek Conical Abutment JDEvolution® Plus+
EVCAGPAEC:	GP for Conical Abutment engaging JDEvolution® Plus+
EVCAGPANEC:	GP for Conical Abutment non engaging JDEvolution® Plus+
EVCATANEC:	Temporary cylinder non engaging Conical Abutment JDEvolution® Plus+
EVCAWANEC:	Wax up cylinder Conical Abutment non engaging JDEvolution® Plus+
EVCAAR	Abutment replica Conical Abutment



TiBase and ScanPost for Cerec Sirona:

EVTIBC:	TiBase engaging JDEvolution® Plus+
EVTIBNEC:	TiBase non engaging JDEvolution® Plus+
EVSCPC:	ScanPost JDEvolution® Plus+
EVTIB15C:	TiBase engaging H 1.5 JDEvolution® Plus+
EVTIB15NEC:	TiBase non engaging H 1.5 JDEvolution® Plus+
EVTIB30C:	TiBase engaging H 3.0 JDEvolution® Plus+
EVTIB30NEC:	TiBase non engaging H 3.0 JDEvolution® Plus+
EVSCBOW	Scan Body



Interfaces:

EVINTEC:	Interface engaging for JDEvolution® Plus+
EVINTNEC:	Interface non engaging for JDEvolution® Plus+
70287C:	Interface non engaging for Conical Abutment JDEvolution® Plus+



Ball Abutment:

EVBA15:	Ball Abutment H 1.5 JDEvolution® Plus+
EVBA30:	Ball Abutment H 3.0 JDEvolution® Plus+
EVBA50:	Ball Abutment H 5.0 JDEvolution® Plus+
EVBAA	Ball Abutment replica
EVBAHC	Cap attachment housing and elastic retentive cap Ball Abutment
EVBAN	Elastic retentive cap Ball Abutment



Emi Abutment:

EVEMI15:	Emi Abutment H 1.5 JDEvolution® Plus+
EVEMI30:	Emi Abutment H 3.0 JDEvolution® Plus+
EVEMI50:	Emi Abutment H 5.0 JDEvolution® Plus+
EVEMIHC	Cap attachment housing and elastic retentive cap Emi Abutment
EVEMIN	Elastic retentive cap standard Emi Abutment - Retention 1,2 Kg
EVEMIH	Cap attachment housing Emi Abutment
EVEMIIC	Impression coping Plastic for Emi Abutment
EVEMIICS	Impression coping Steel for Emi Abutment
EVEMINT	Elastic retentive cap white Emi Abutment - Retention 1,8 Kg
EVEMINY	Elastic retentive cap yellow Emi Abutment - Retention 0,6 Kg
EVEMINP	Elastic retentive cap purple Emi Abutment - Retention 2,5 Kg
EVEMINB	Elastic retentive cap for laboratory Emi Abutment
EVEMIA	Emi Abutment analog
EVEMIIIT	Insertion Tool for Caps Emi Abutment
EVEMIIET	Extractor Tool for Caps Emi Abutment



Implant replica:

EVAN:	Implant replica JDEvolution® Plus+
-------	------------------------------------



Implant and prosthetic drivers:

EVID:	Implant driver JDEvolution® Plus+
EVIDL:	Implant driver long JDEvolution® Plus+
EVSDPF20:	Screwdriver prosthetic for torque wrench L20 JDEvolution® Plus+
EVSDPF25:	Screwdriver prosthetic for torque wrench L25 JDEvolution® Plus+
ESVSDP20:	Screwdriver machine prosthetic L20 JDEvolution® Plus+
ESVSDP25:	Screwdriver machine prosthetic L25 JDEvolution® Plus+
ESVSDP30:	Screwdriver machine prosthetic L30 JDEvolution® Plus+



Bone Mills:

JDBMNC:	Bone Mill Ø 5.0 and Bone Mill guide JDEvolution® Plus+
JDBM6C:	Bone Mill Ø 6.0 and Bone Mill guide JDEvolution® Plus+
JDBMGN:	Bone Mill guide JDEvolution® Plus+





JDENTALCARE

www.jdentalcare.com